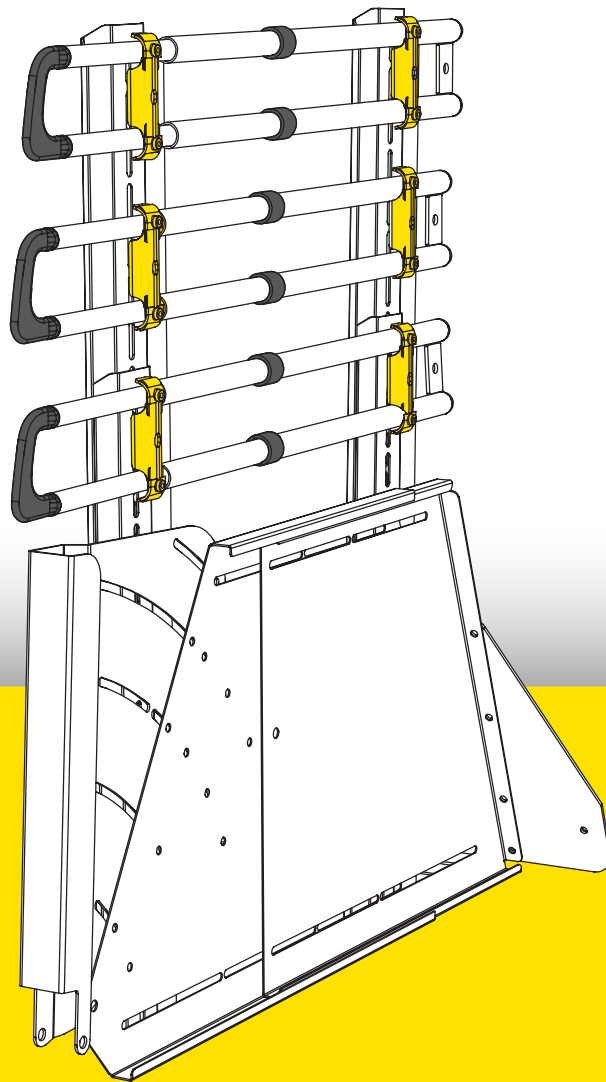


# mimSAFE

[www.mimsafe.com](http://www.mimsafe.com)



ASSEMBLY INSTRUCTIONS

## VARIODIVIDER





## IMPORTANT

## GENERAL

VarioDivider separates the cargo in your luggage compartment. VarioDivider is intended for use in combination with VarioGate and **cannot be used as stand-alone**. Thanks to its robust and controllable design, the load is secured for lateral movement. VarioDivider is designed to withstand load and pressure from the sides. In the event of a collision, VarioGate is compressed longitudinally, thus effectively neutralizing the resulting forces. VarioDivider is made of galvanized steel painted with a very weather-resistant polyurethane paint suitable for its use. The product comes with straps for quick fastening and installation in the vehicle.

## BEFORE YOU BEGIN

**Ensure that you work on a flat surface. If the VarioDivider is assembled indoors, protect the floor with a blanket or carpet to avoid damage during assembly.** Read the instruction carefully before you begin, it gives you a better understanding when you work step by step during the assembly. You can assemble the VarioDivider by yourself, but it helps a lot to be two during some of the assembly steps.

## RECOMMENDED AREA OF USE

The VarioDivider must be installed together with a VarioGate single or double in the luggage compartment of the car.

## DAILY INSPECTION

- Make sure the VarioDivider is intact
- That there's no sharp edges

## CLEANING

Use a soft cloth with water and mild soap.

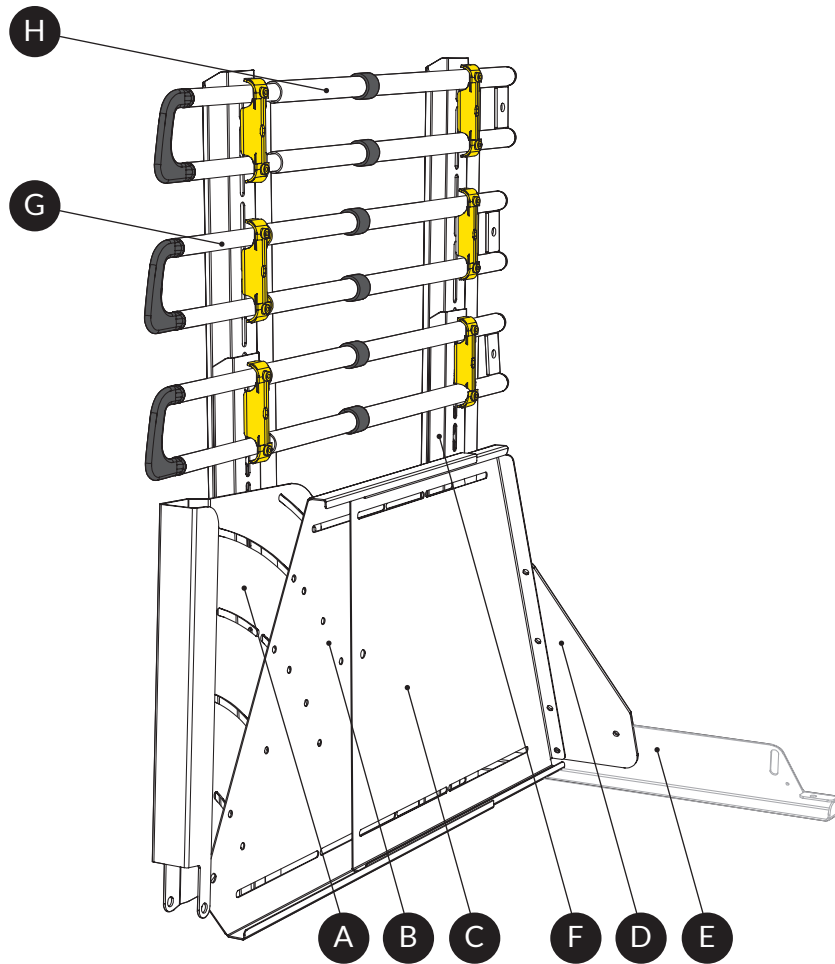
## The story of MIMsafe

For more than 30 years, MIMsafe has worked with functional design and manufacturing of safety products for the modern automotive industry. With documentation from hundreds of crash tests and in close collaboration with the major car manufacturers, safe products have been developed and transformed into knowledge. Under the well-known brand name MIMsafe, we have become the leading manufacturer of crash tested and crush proofed non-whiplash dog cages all over the world.


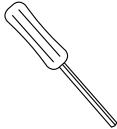
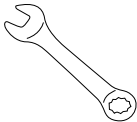
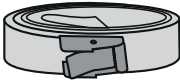
## MANUFACTURER




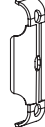
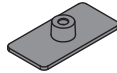
MIM Construction AB  
Myren 125  
SE-462 94 Frändefors  
Sweden








+46 10 55 00 450  
info@mim.se  
www.mimsafe.com

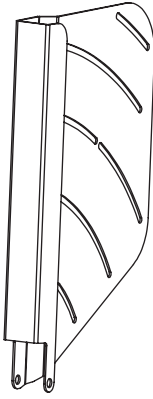


**BAG #1** Product no. 53275-MS

<p>M-460641D 3X</p>  <p>black rubber</p>	<p>ALLEN KEY DRIVER 1X</p> 	<p>COMB. SPANNER 1X</p> 	<p>M-10323 2X</p>  <p>700mm</p>
---	--	---	--

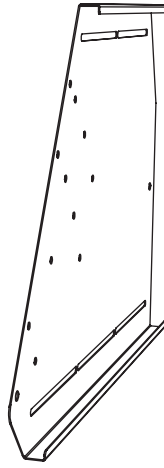
<p>M-SR3220M6S 6X</p> 	<p>M-VBM6X35 6X</p> 	<p>M-B251,56,5 SLD 6X</p>  <p>plastic</p>	<p>F247A 6X</p> 	<p>M-460641DG 12X</p>  <p>gray rubber</p>
---	---	--	---	--

<p>M-460641AY 6X</p>  <p>rubber end caps</p>	<p>M-460641AL 6X</p>  <p>plastic end caps</p>	<p>M-IKH2016-18s 6X</p>  <p>plastic end caps</p>	<p>M-MM6NyS 20X</p> 	<p>M-BR8x19x15 20X</p> 	<p>M-VBM6X16s 4X</p> 	<p>M-SM6X12 16X</p> 
---	--	---	---	---	--	---



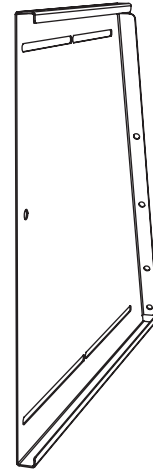
**A** Rear support

Art.no F357	
53275 53285	1X
Product no	No of items



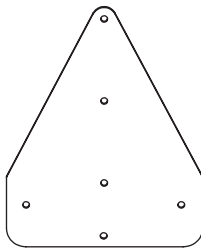
**B** Rear

53275	F359C	1
53285	F359D	1
Product no	Art. no	No of items



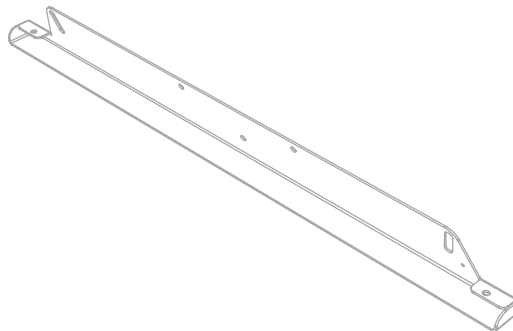
**C** Front

53275	F359	1
53285	F359E	1
Product no	Art. no	No of items



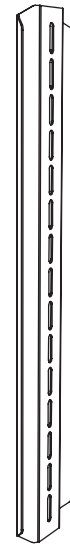
**D** Front support

Art.no F606	
53275 53285	1X
Product no	No of items



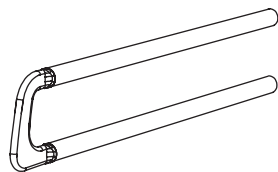
**E** Front floor plate

Art.no F530	
Article already included in your chosen VarioGate model.	



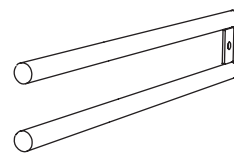
**F** Rail

Art.no F358	
53275 53285	4X
Product no	No of items



**G** Adjustable bracket

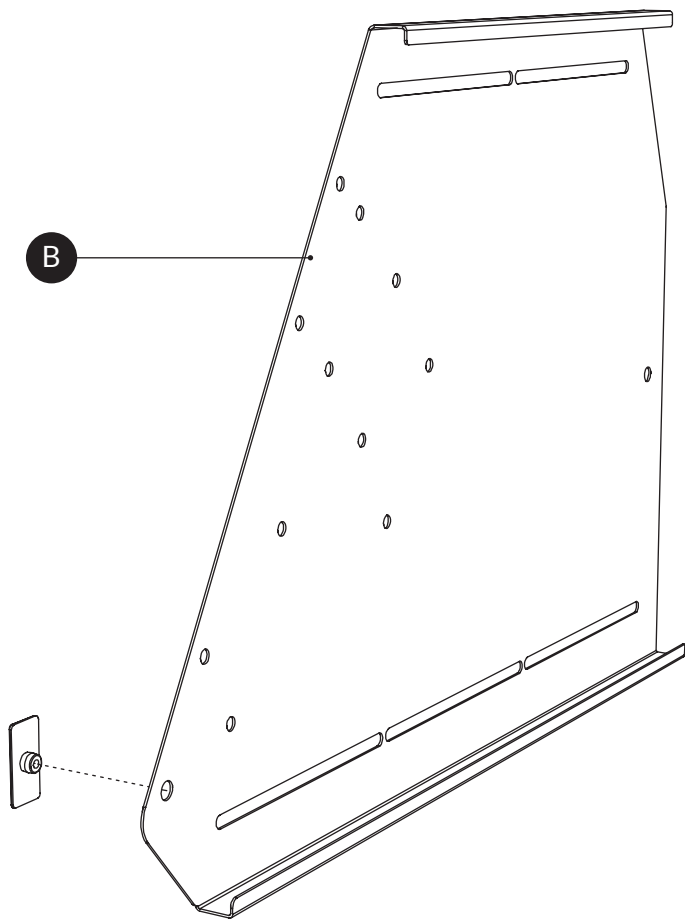
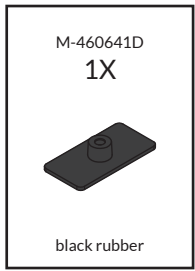
53275	F521	3
53285	F521A	3
Product no	Art. no	No of items



**H** Bracket


53275	FS222A	3
53285	FS222B	3
Product no	Art. no	No of items

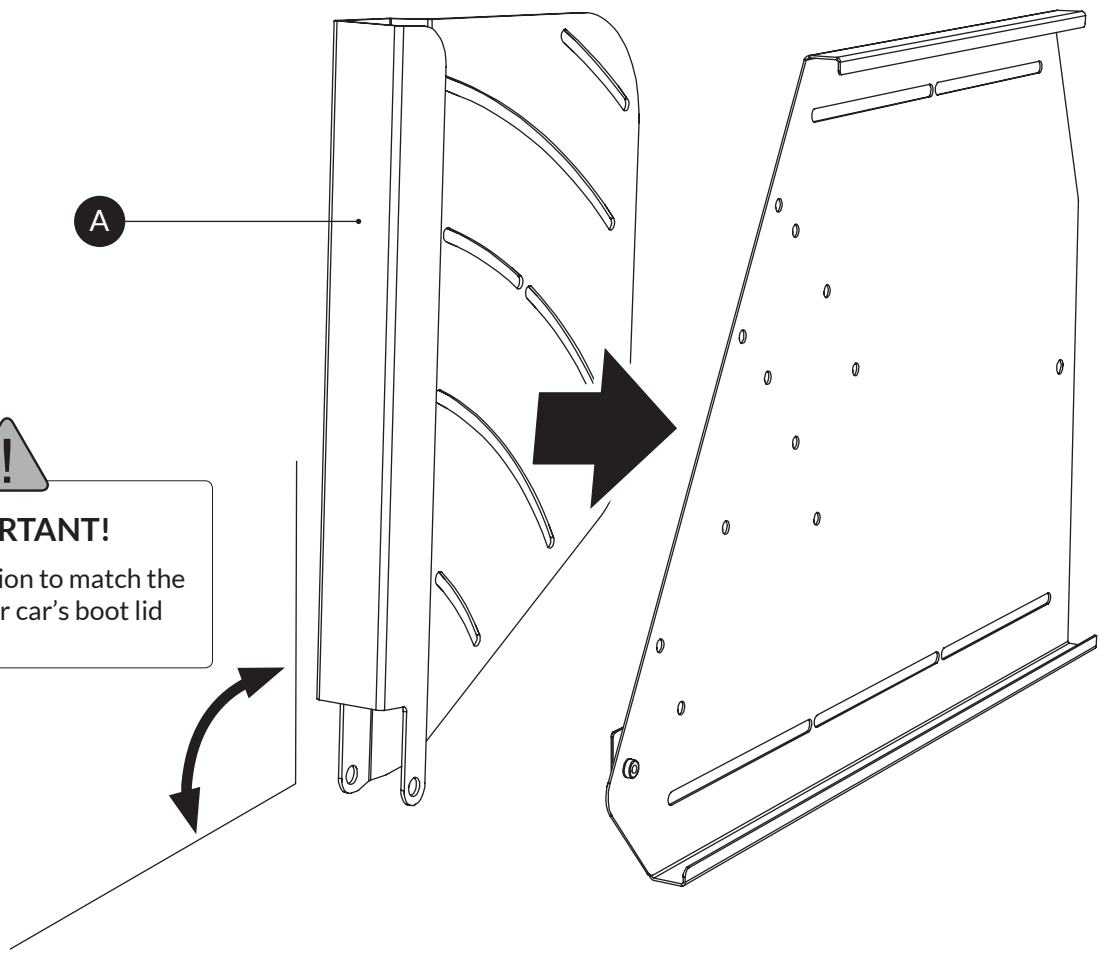
STEP  
**1**



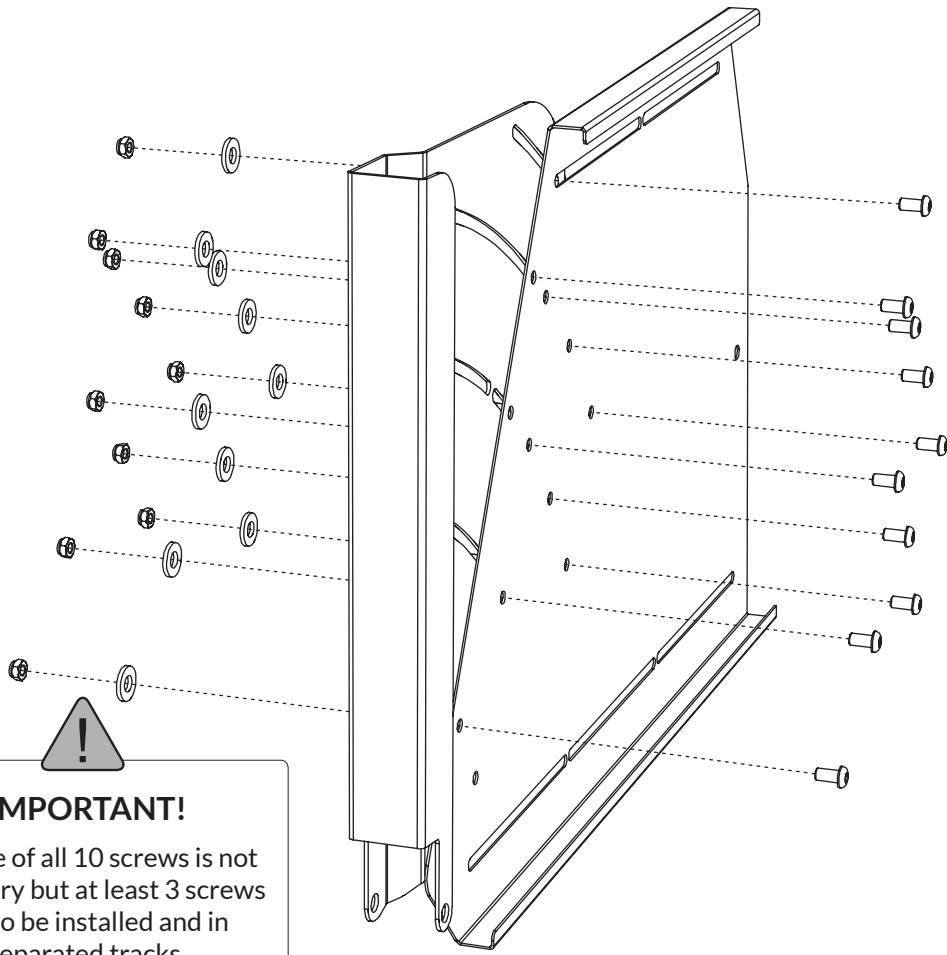
STEP  
**2**




**A**

  
**IMPORTANT!**  
Tilt the A section to match the angle of your car's boot lid



STEP  
**3**



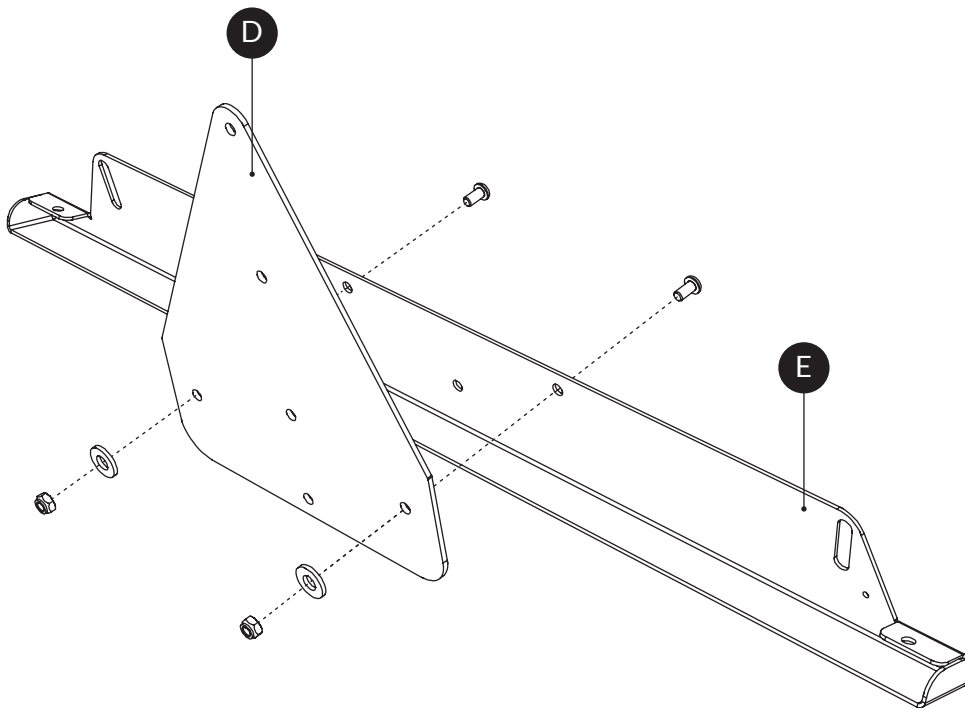
<p>M-MM6NyS 10X</p> 
<p>M-BR8x19x15 10X</p> 
<p>M-SM6X12 10X</p> 






**IMPORTANT!**

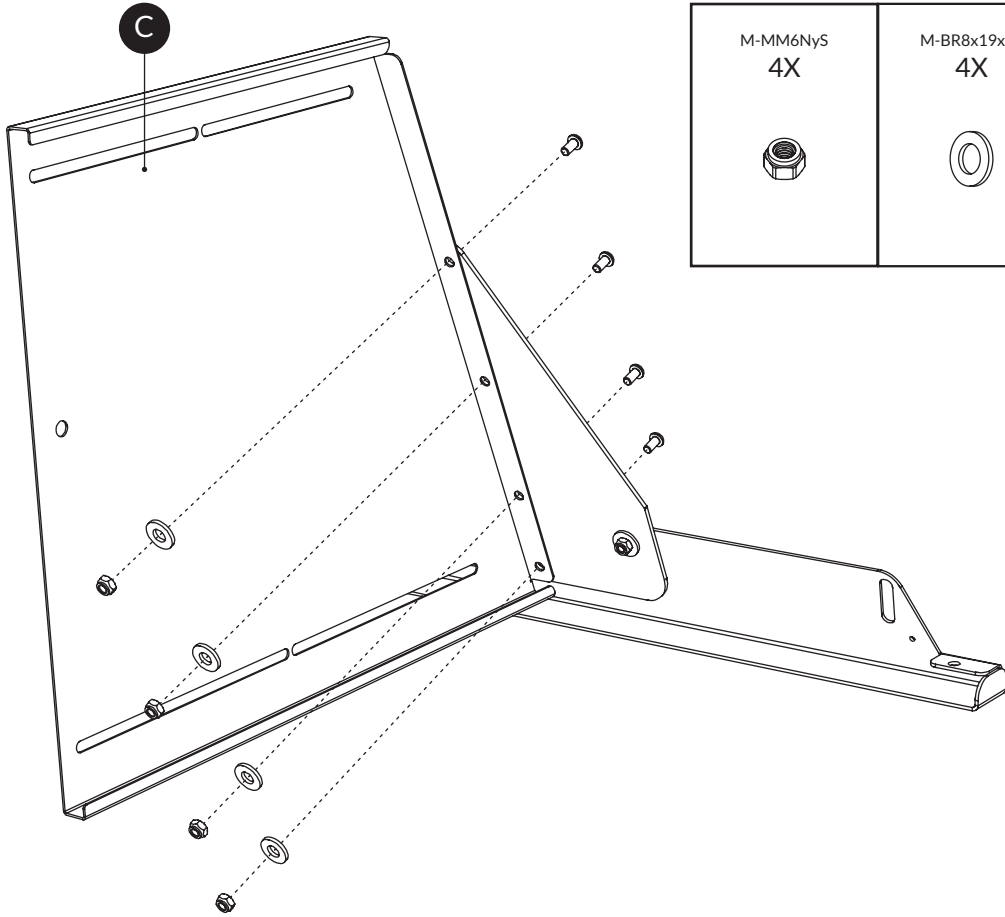
The use of all 10 screws is not necessary but at least 3 screws has to be installed and in separated tracks.




STEP  
**4**



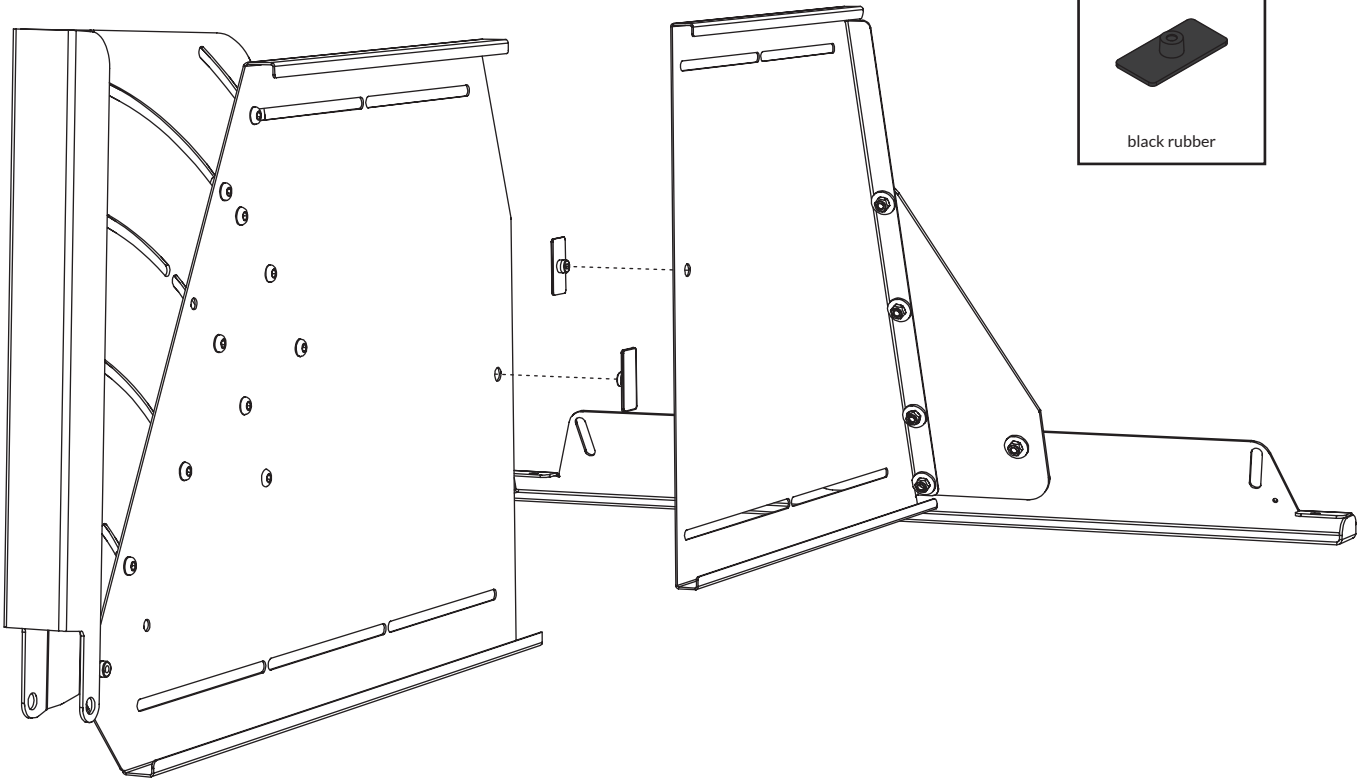
<p>M-MM6NyS 2X</p> 
<p>M-BR8x19x15 2X</p> 
<p>M-SM6X12 2X</p> 


STEP  
**5**



M-MM6NyS 4X	M-BR8x19x1S 4X	M-SM6X12 4X
		

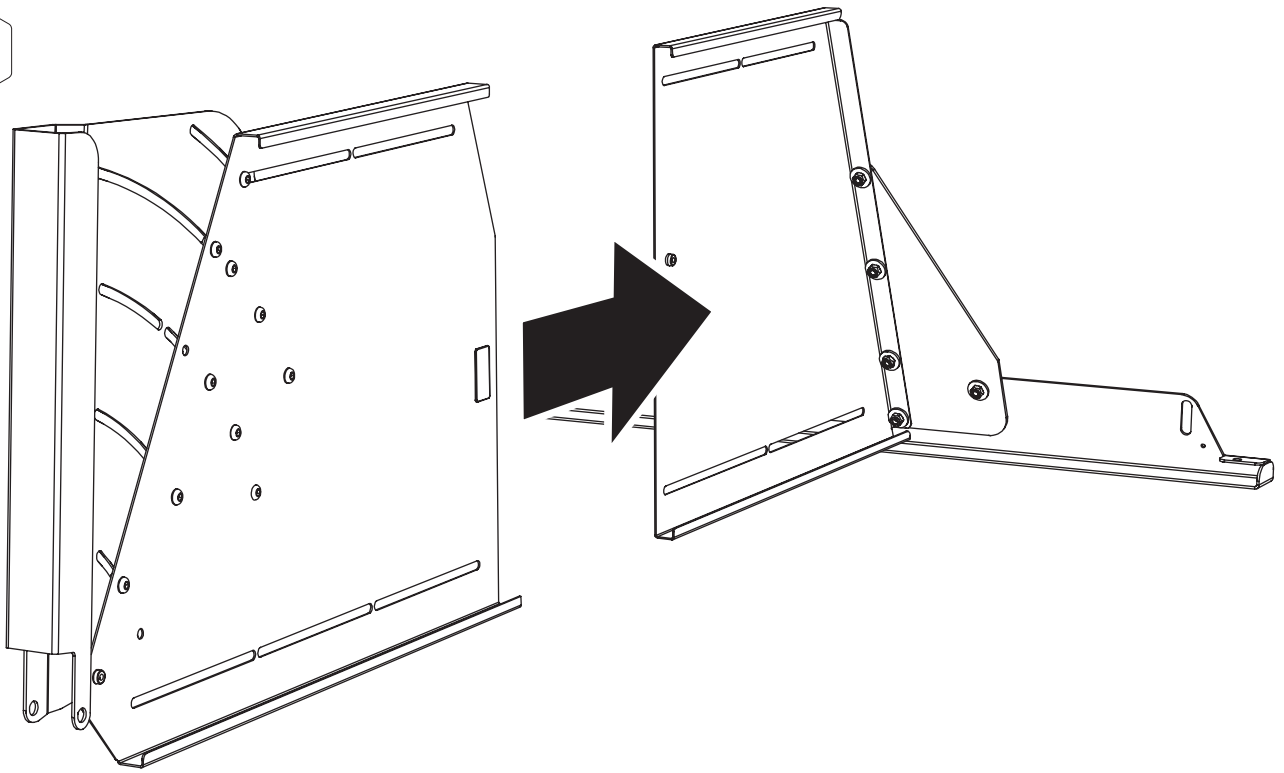
STEP  
**6**



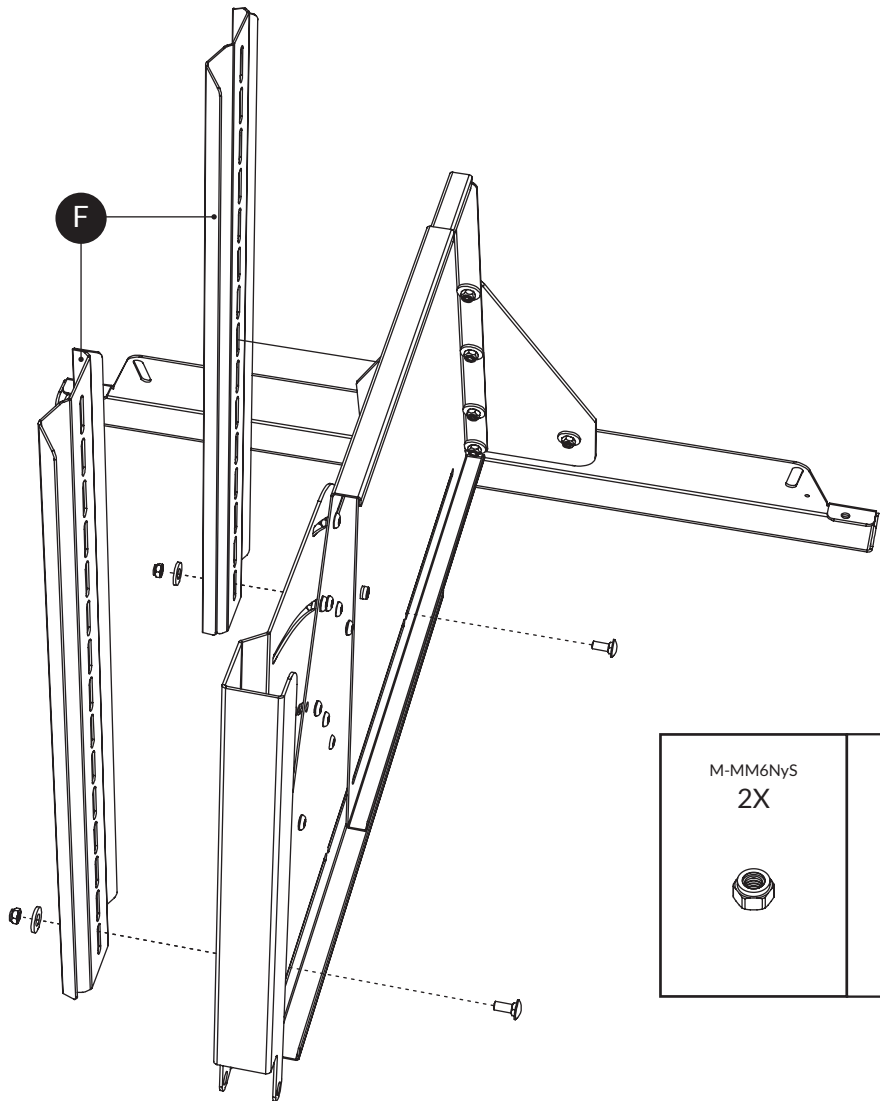
M-460641D 2X

black rubber






STEP  
**7**

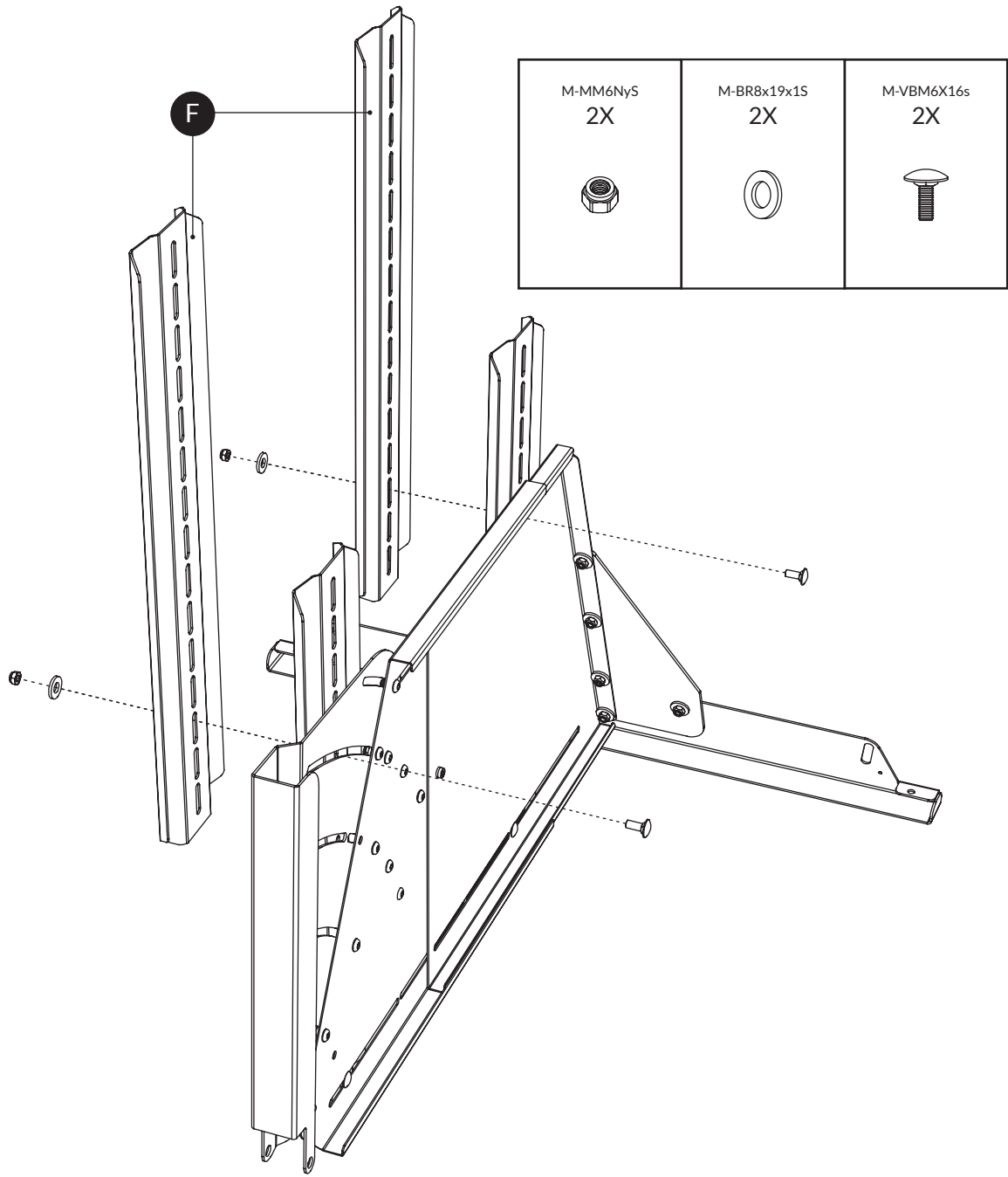


STEP  
**8**



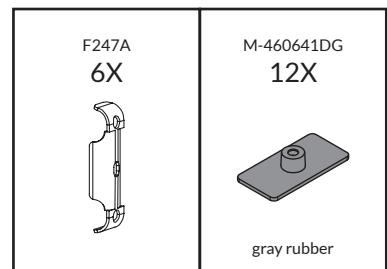
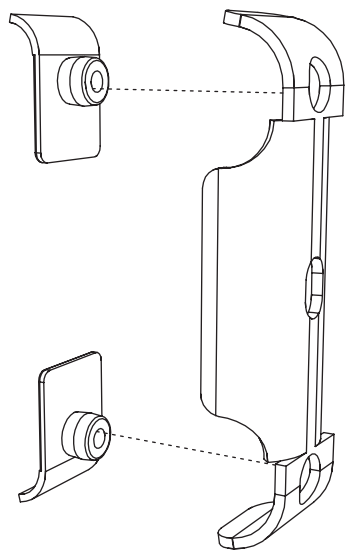
M-MM6NyS 2X	M-BR8x19x1S 2X	M-VBM6X16s 2X
		

STEP  
**9**

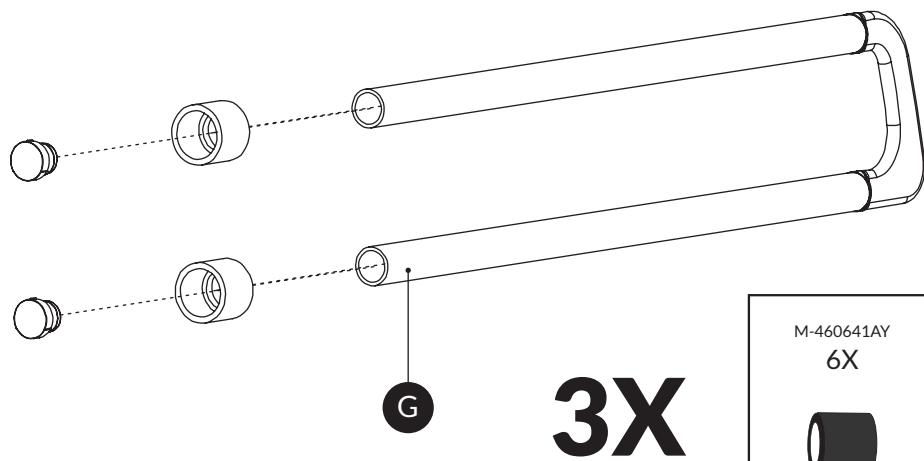


STEP  
**10**



**6X**



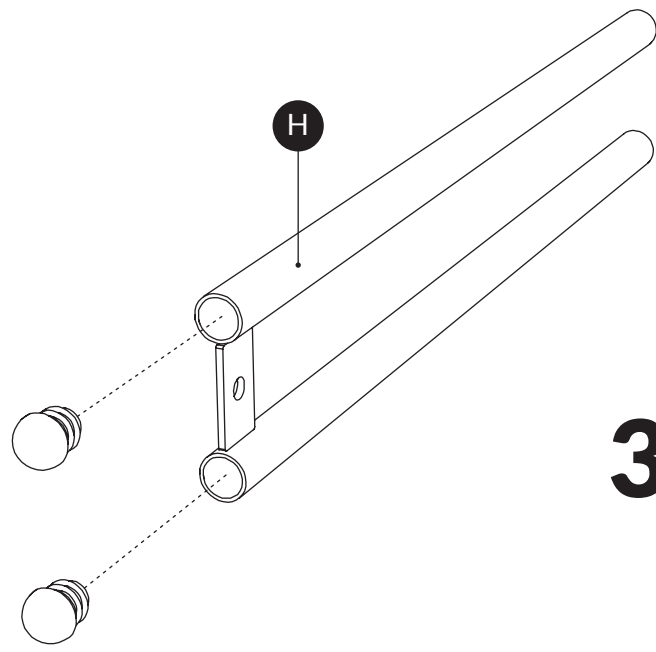
STEP  
**11**




**3X**

M-460641AY 6X  rubber end caps	M-460641AL 6X  plastic end caps
--	---

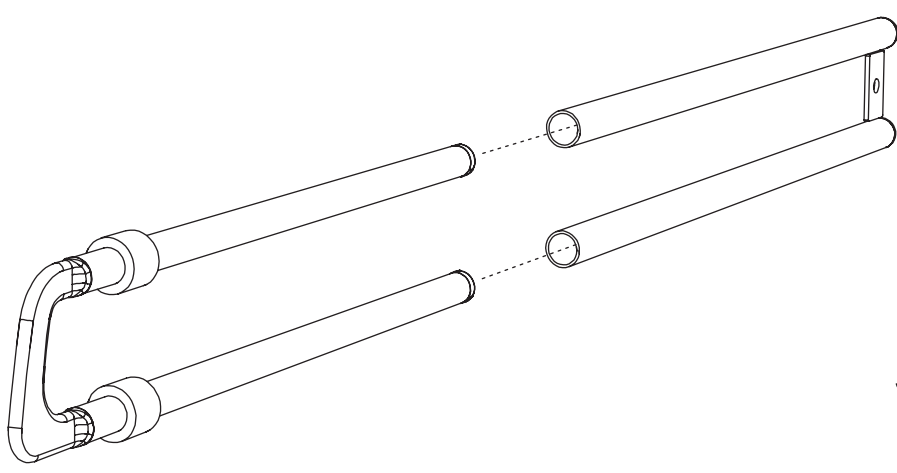
STEP  
**12**



**3X**

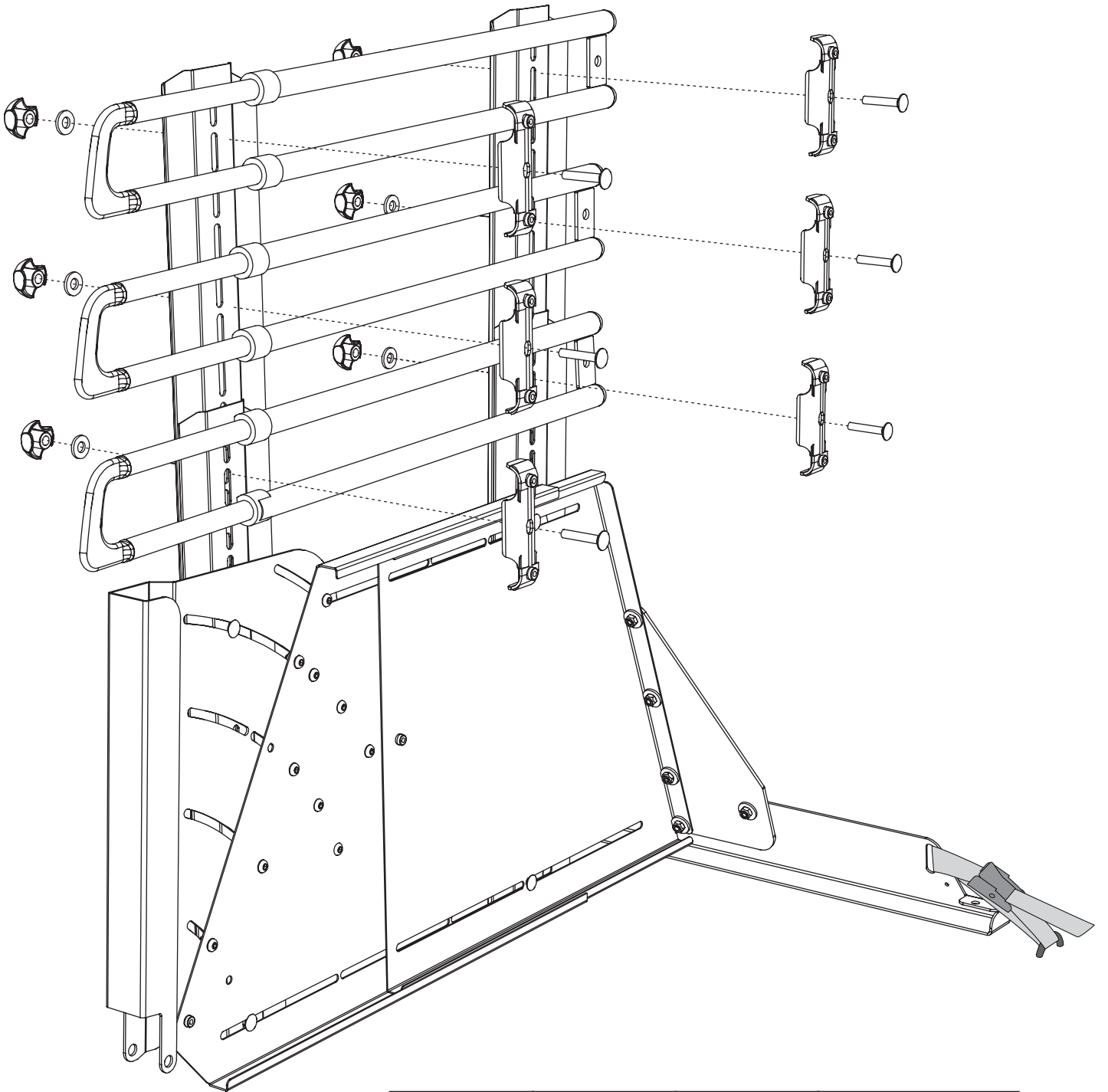
M-IKH2016-18s 6X  plastic end caps
--





STEP  
**13**



**3X**

STEP  
**14**



M-SR3220M6S 6X	M-VBM6X35 6X	M-B251,56,5 SLD 6X	M-10323 2X
			
		plastic	700mm