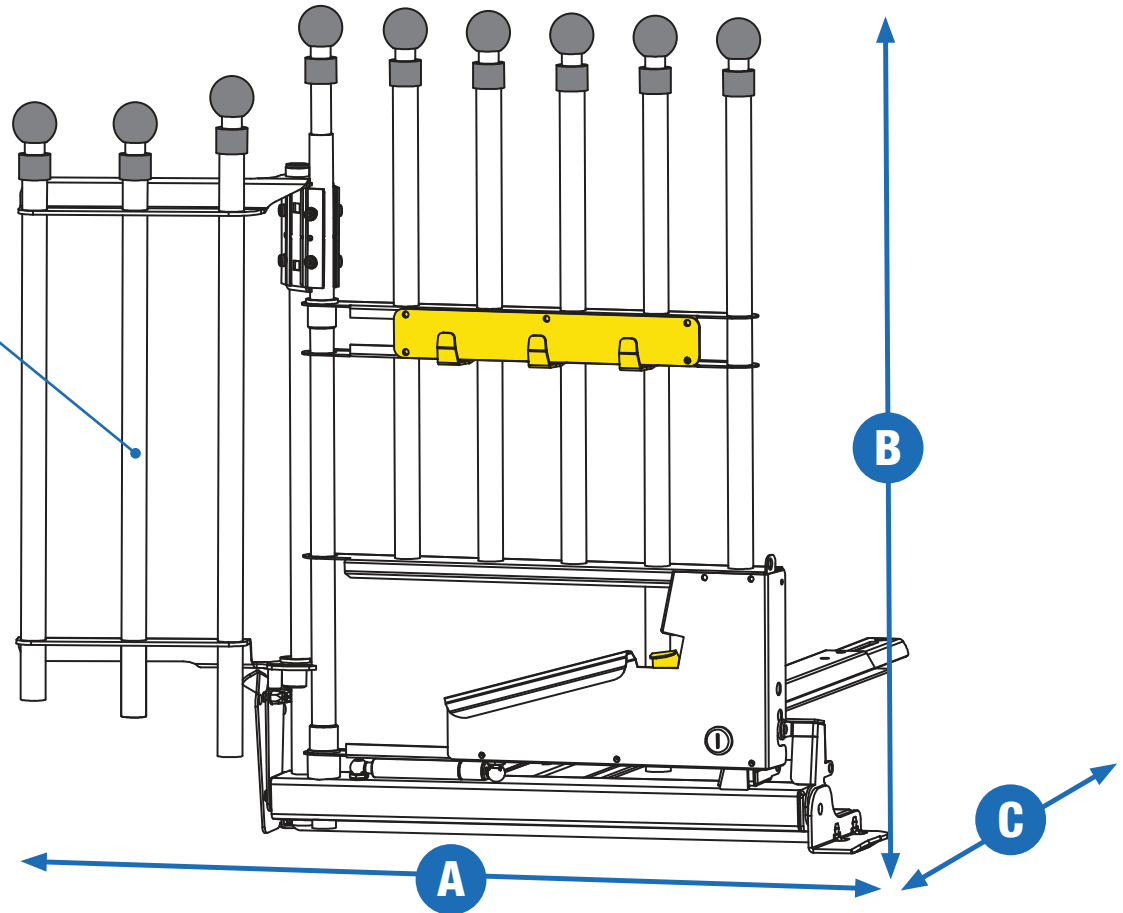


VarioGate Single
Designed for Left Side
Mounting Only

Product comes with 3-Bar Extension.
To make wider, purchase a
4-Bar Left Wing Extension model.

VarioGate Single must be used with
VarioDivider.*



Part #	Wing Type	A (width)		B (height)		C (depth)	
		min	max	min	max	min	max
53253	3-Bar	21.06"	28.35"	21.85"	37.80"	30.71"	59.06"
58035	4-Bar Extension (left) (adds 3.15" to width)	21.06"	+ 3.15"	21.85"	37.80"	-	-
53275	* VarioDivider (short)	-	-	-	-	30.71"	39.37"
53285	* VarioDivider (long)	-	-	-	-	41.34"	59.06"